

Specification
of
Photovoltaic module

Type KD135GH-2P

Jun.19.2007

Prepared by P. Yada

Checked by M. Hirota

Checked by H. Yamamaka

Approved by M. Yamashita

Kyocera Corporation

Kyoto, Japan

Specification of photovoltaic module

1. Application

This specification is applicable for a photovoltaic module KD135GH-2P.

2. Electrical specification

Maximum power	(Pmax)	1 3 5 W + 5 %、 - 5 %
Short circuit current	(Isc)	8 . 3 7 A
Open circuit voltage	(Voc)	2 2 . 1 V
Maximum power current	(Ipmax)	7 . 6 3 A
Maximum power voltage	(Vpmax)	1 7 . 7 V
Maximum system voltage		1 0 0 0 V
Test condition		Cell temperature 2 5 Irradiance AM 1 . 5 , 1 k W / m ²

Above value is measured at terminals in the junction box.

3. Physical specification

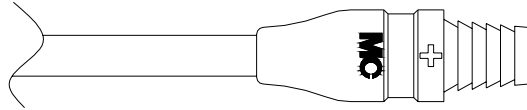
Product. No.	A C - 5 6 3 0 1 2
Drawing. No.	A C - 5 6 6 3 1 7
Dimension	1 5 0 0 × 6 6 8 × 3 6 mm
Mass	1 3 . 0 kg

4. Output cable

The symbol of the waterproof connector distinguishes positive pole terminal from negative pole terminal.

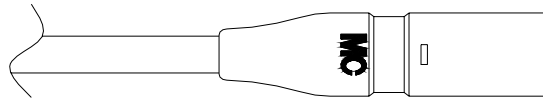
Positive pole terminal

Connector symbol : +



Negative pole terminal

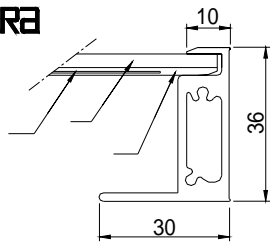
Connector symbol : -



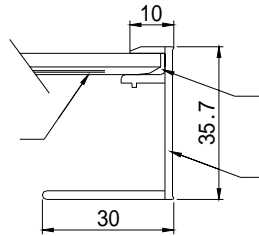
5. Remarks

Do not step on module to prevent damages.

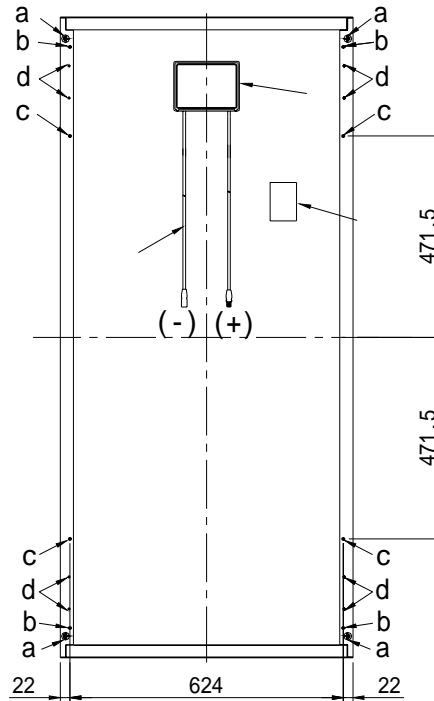
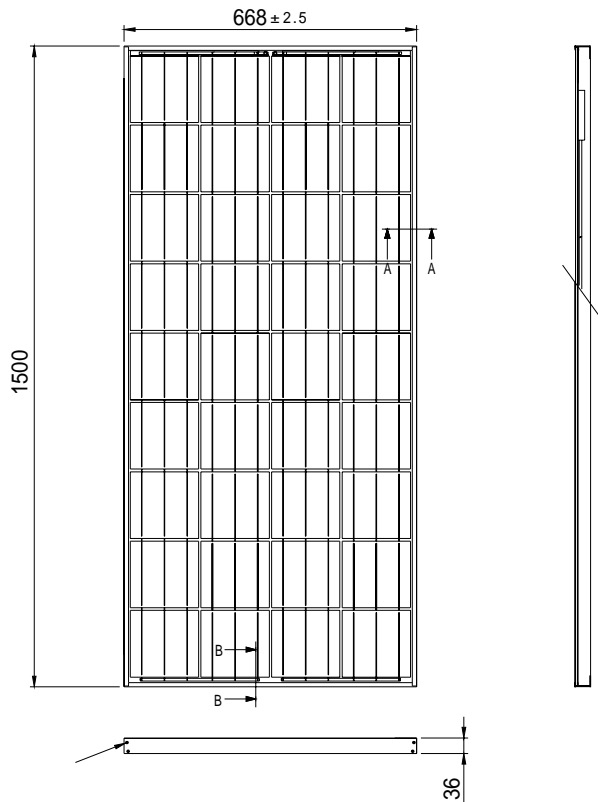
Keep module in ventilated condition, away from high temperature and high humidity environment.



SECTION A-A



SECTION B-B



- a : GROUND MARK
- b : GROUND INSTALLATION HOLE(4- 7)
- c : INSTALLATION HOLE(4- 7)
- d : CABLE CLAMP HOLE(8- 4.7)

DETAIL OF "a"



TOLERANCE LIST (mm)	
DIMENSION	TOLERANCE (±)
~ 6	0.2
6 ~ 30	0.5
30 ~ 120	0.8
120 ~ 315	1.2
315 ~ 1000	2.0
1000 ~	2.5

No.	DESCRIPTION	QT.	MTL.	REMARKS	No.	DESCRIPTION	QT.	MTL.	REMARKS
	SOLAR CELL	36	Si	d.Blue CELL		FRAME	1s.	Al	color-BLACK
	GLASS	1	-	LOW-IRON TEMPERED		JUNCTION BOX	1s.	-	BYPASS DIODE
	POTTANT	1s.	EVA	-		CABLE	1s.	-	4.0mm ² (+)840mm (-)840mm
	BACK SHEET	1	PET	WEATHER-RESISTANT		LABEL	1	-	-
	BUTYL	1s.	-	-		T.P.SCREW	8	SUS	-

TOLERANCE REFER TO TOLERANCE LIST	NAME PHOTOVOLTAIC MODULE
SCALE free	TYPE KD135GH-2P
DATE 2007.6.19	DWG. NO. AC-566317

