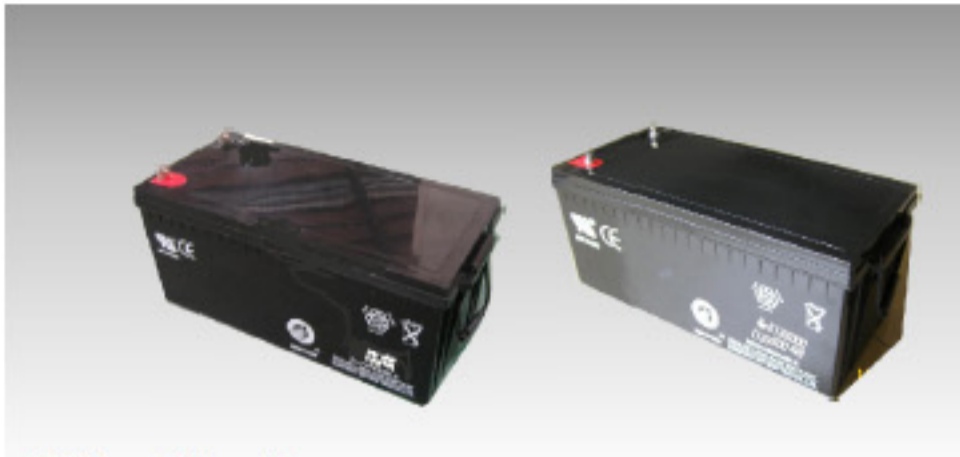


## BATERÍA AGM 200AMP/H



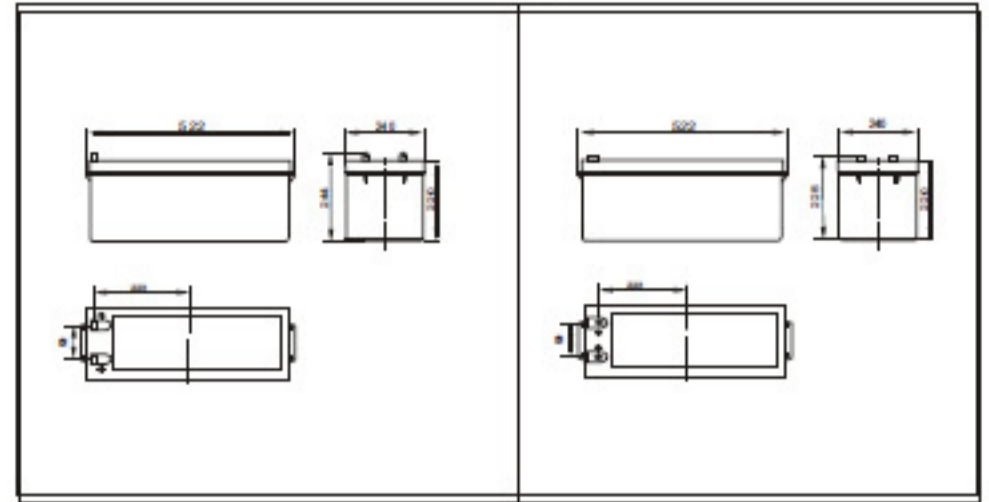
### Specifications

|                               |              |                      |                      |
|-------------------------------|--------------|----------------------|----------------------|
| Nominal Voltage               |              | 12V                  |                      |
| Rated capacity (10 hour rate) |              | 200 Ah               |                      |
| Dimensions                    | Total Height | T11                  | 244 mm (9.60 inches) |
|                               |              | T19                  | 225 mm (8.70 inches) |
|                               | Height       | 220 mm (8.66 inches) |                      |
|                               | Length       | 522 mm (20.6 inches) |                      |
| Width                         |              | 240 mm (9.45 inches) |                      |
| Weight Approx                 |              | 66 Kg (145.9 lbs)    |                      |

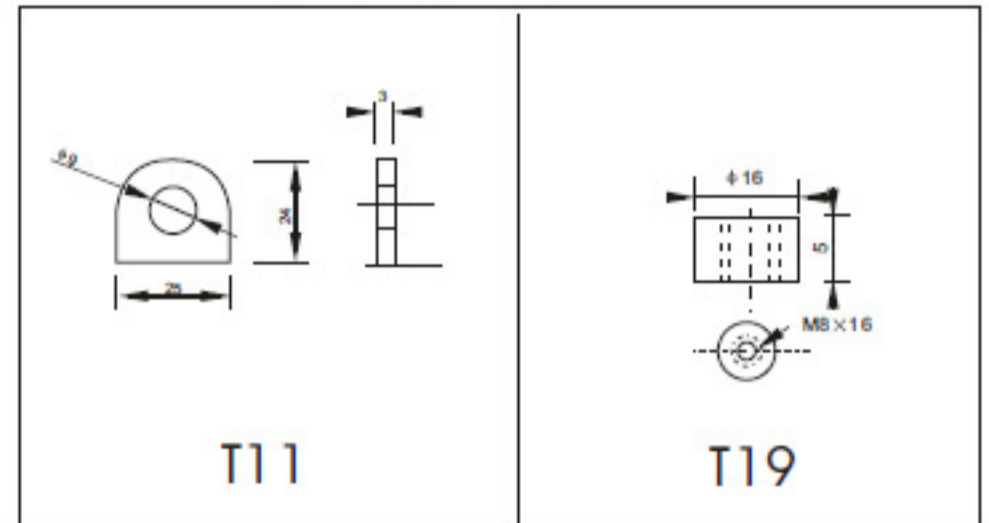
### Characteristics

|  |   |  |
|--|---|--|
| Capacity<br>25°C(77°F)                         | 10 hour rate(20 A)<br>5 hour rate(32A)<br>1 hour rate(120 A)  | 200 AH<br>160 AH<br>120 AH                                     |
| Internal Resistance                            | Full charged Battery at 25°C(77°F)  | Approx<br>2.5 mΩ   |
| Capacity affected by Temperature (10hour rate) | 40°C(104°F)<br>25°C(77°F)<br>0°C(32°F)<br>-15°C(5°F)  | 102%<br>100%<br>85%<br>65%                                     |
| Self-Discharge at 25°C(77°F)                   | Capacity after 3 month storage<br>Capacity after 6 month storage<br>Capacity after 12 month storage | 91%<br>82%<br>64%  |
| Terminal                                       | T11   |  |
| Charge (constant Voltage)                      | Cycle   | Initial Charging Current less than 80A<br>Voltage 14.10-14.40V |
|  | Float   | Voltage 13.50-13.80V   |

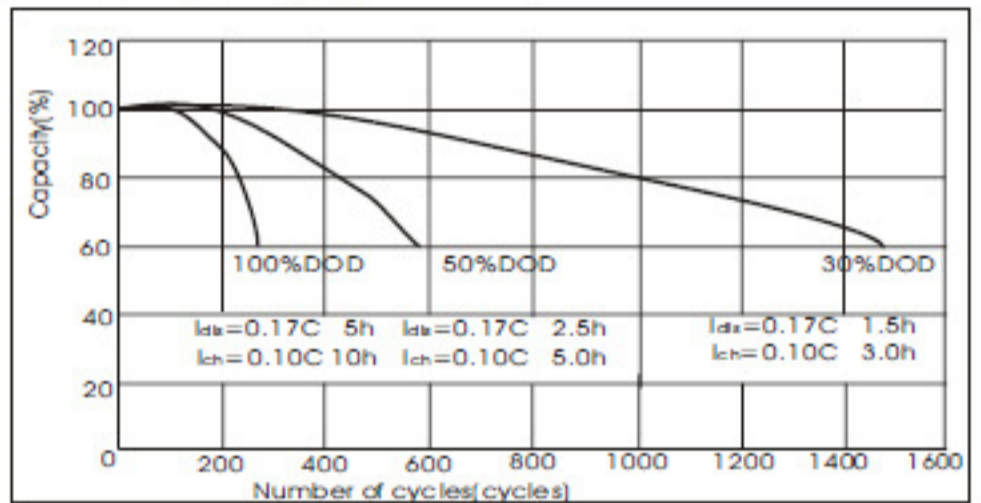
### Outer dimensions (mm)



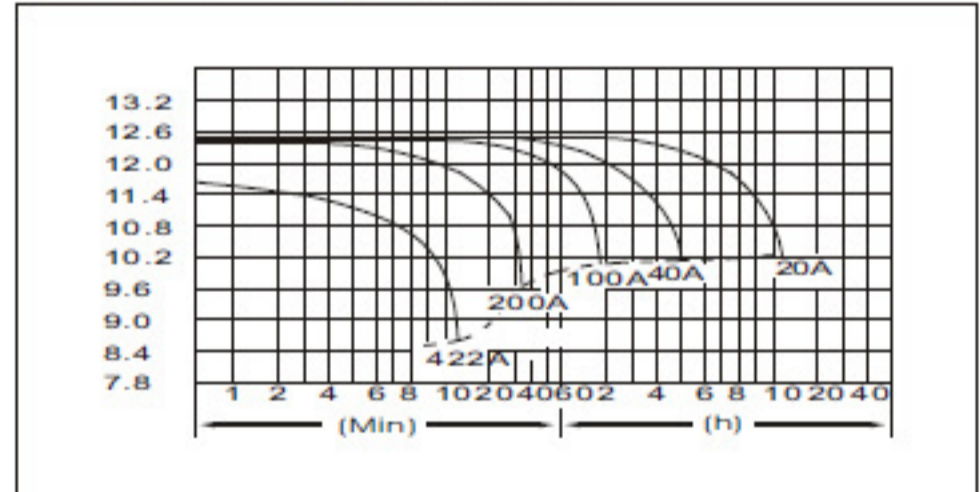
### Terminal Type (mm)



### Curves of cycle life(25°C)



### Discharge Curves 25°C(77°F)



Constant Current(Amp) and Constant Power(Watt) Discharge Table at 25°C(77°F)

| Time   | 5min | 10min | 15min | 30min | 1h    | 2h    | 3h   | 4h   | 5h   | 8h   | 10h   | 20h   |       |
|--------|------|-------|-------|-------|-------|-------|------|------|------|------|-------|-------|-------|
| 9.60V  | A    | 641   | 422   | 340   | 228.0 | 120.0 | 70.0 | 51.4 | 40.0 | 33.0 | 23.40 | 21.00 | 11.34 |
|        | W    | 6611  | 4507  | 3648  | 2451  | 1296  | 769  | 572  | 450  | 375  | 268   | 243   | 131.9 |
| 10.20V | A    | 620   | 381   | 320   | 218.0 | 112.8 | 66.8 | 50.0 | 39.0 | 32.4 | 22.80 | 20.60 | 11.00 |
|        | W    | 6626  | 4252  | 3585  | 2447  | 1276  | 770  | 579  | 453  | 378  | 267   | 242   | 129.0 |
| 10.50V | A    | 600   | 341   | 280   | 204.0 | 109.2 | 65.2 | 48.8 | 38.4 | 32.0 | 22.60 | 20.20 | 11.00 |
|        | W    | 6554  | 3875  | 3198  | 2348  | 1265  | 756  | 569  | 449  | 375  | 266   | 239   | 130.0 |
| 10.80V | A    | 578   | 321   | 260   | 188.0 | 105.6 | 63.6 | 47.6 | 37.8 | 31.2 | 22.00 | 20.00 | 10.80 |
|        | W    | 6490  | 3702  | 3000  | 2178  | 1229  | 745  | 561  | 446  | 369  | 261   | 238   | 128.6 |
| 11.10V | A    | 559   | 301   | 240   | 168.0 | 102.0 | 62.0 | 46.0 | 36.8 | 30.4 | 21.40 | 19.00 | 10.20 |
|        | W    | 6339  | 3483  | 2798  | 1966  | 1200  | 733  | 546  | 438  | 363  | 256   | 229.4 | 123.6 |